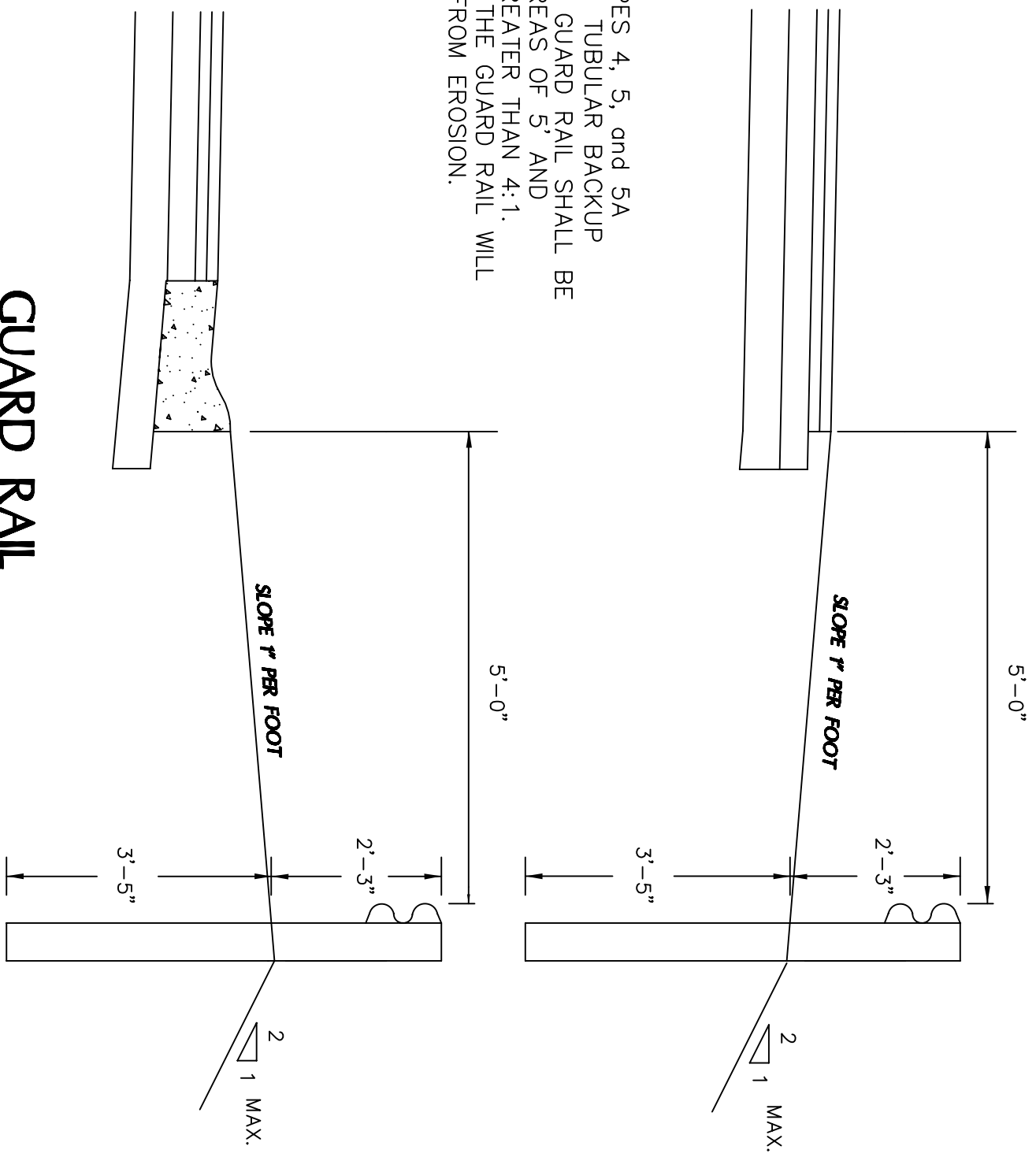


NOTES:
 GUARD RAIL TYPES 4, 5, and 5A
 OR TYPE 5 WITH TUBULAR BACKUP
 ARE PERMITTED. GUARD RAIL SHALL BE
 USED IN FILL AREAS OF 5' AND
 WITH SLOPES GREATER THAN 4:1.
 SLOPES BEHIND THE GUARD RAIL WILL
 BE PROTECTED FROM EROSION.



GUARD RAIL

SCALE : 1" = 2'

STD0027