

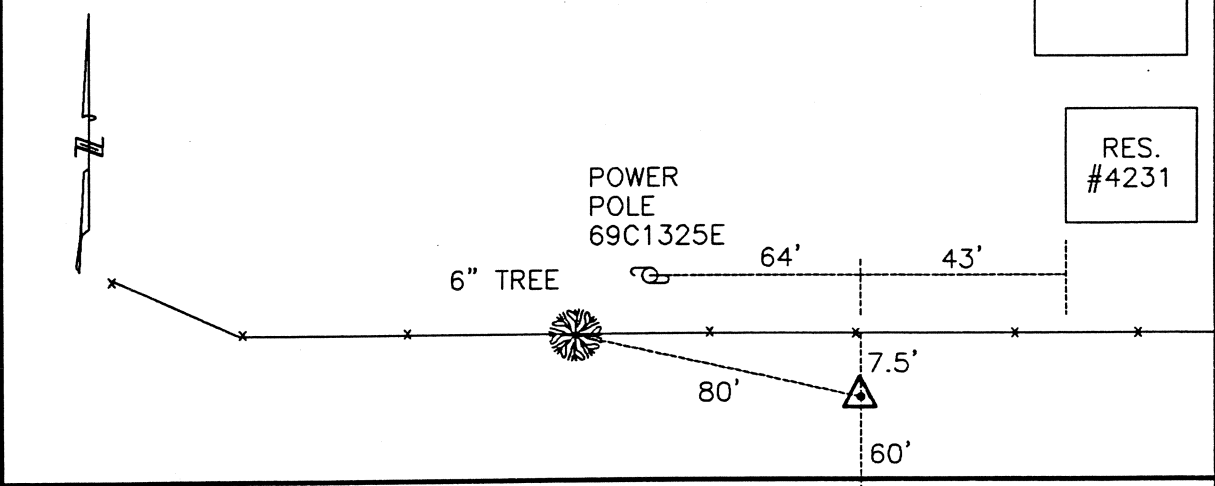


CLERMONT COUNTY ENGINEER
CONTROL STATION DATA SHEET

Approximate Location: WILLIAMSBURG TOWNSHIP

BARN

RES.
#4231



STATE ROUTE 32

0.19 MI TO
DELA PALMA ROAD

STATE ROUTE 32

N.T.S.

Station Name: 190

NAD 1983 (First Order)

State Plane Zone: Ohio South 3402
 Latitude (dms) N 39 03 49.46310
 Longitude (dms) W 84 02 8.58368
 Easting in meters 467098.597
 Northing in meters 119219.339
 Easting in US survey ft 1532472.647
 Northing in US survey ft 391138.781
 Scale .99995150
 Convergence (dms) 0-58 27.994356

NAVD 1988

Elevation in meters 273.984
 Elevation in feet 898.896
 Geoid Ht. in meters -33.882
 Elevations determined with GPS

Azimuth: N 81° 50' 24" W to Station 190A.