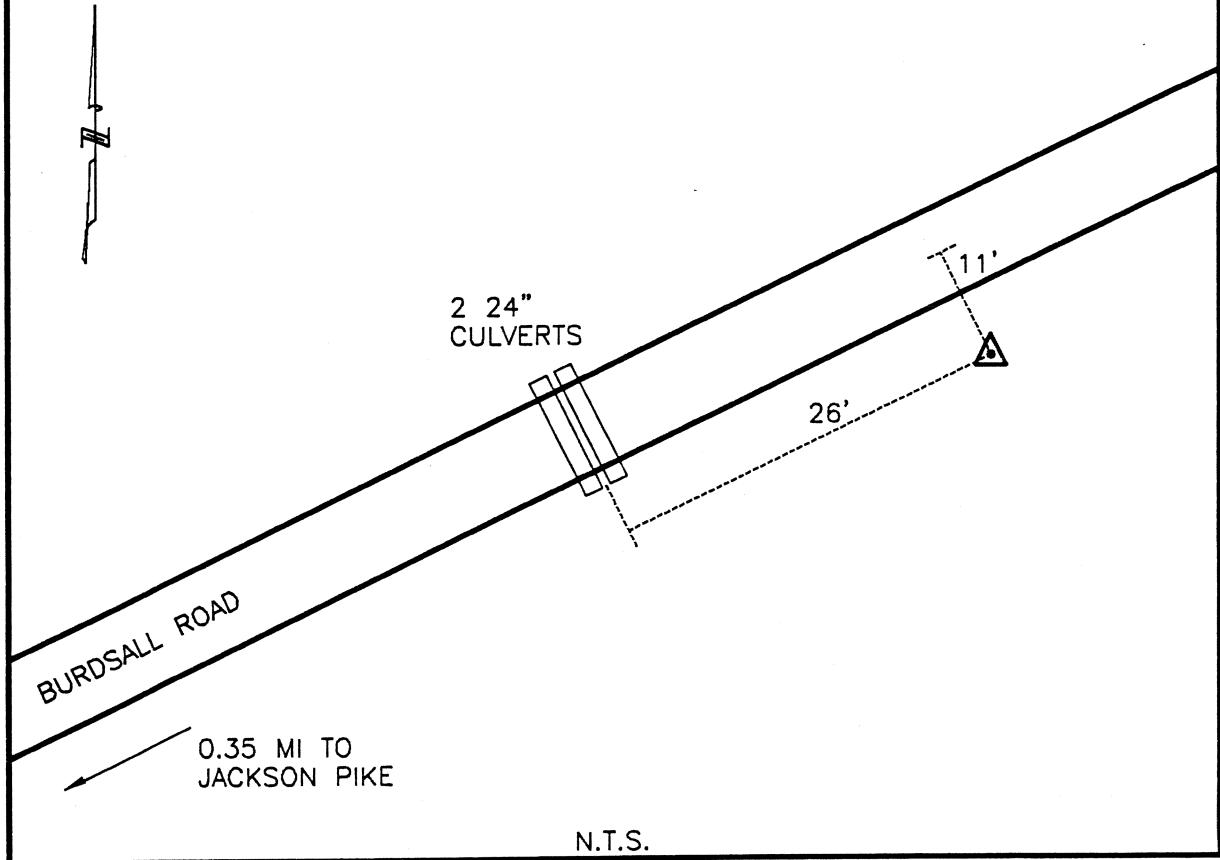




CLERMONT COUNTY ENGINEER
CONTROL STATION DATA SHEET

Approximate Location: JACKSON TOWNSHIP



Azimuth: S 25° 01' 37" W to Station 192.