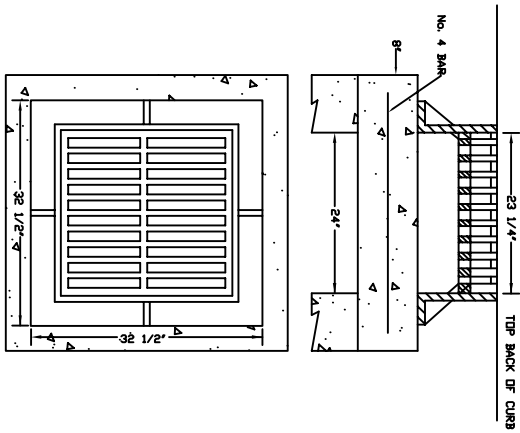
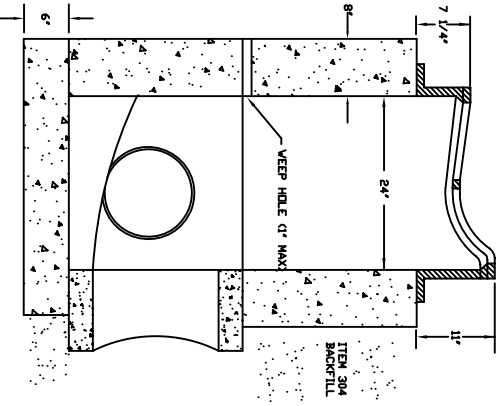
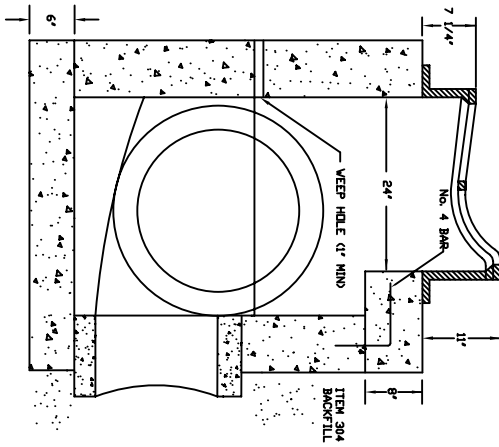


CATCH BASIN No. 3A MODIFIED



FOR 18" PIPE OR LARGER



DRIVEWAY INLETS

SCALE : NONE

STD0023