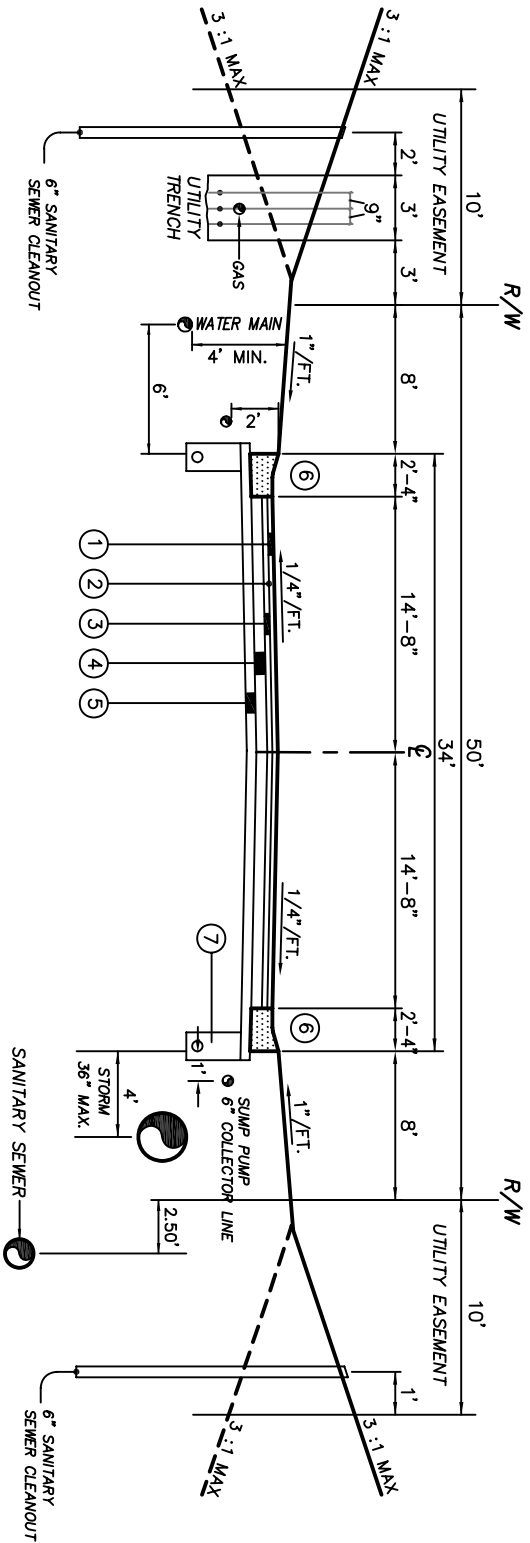


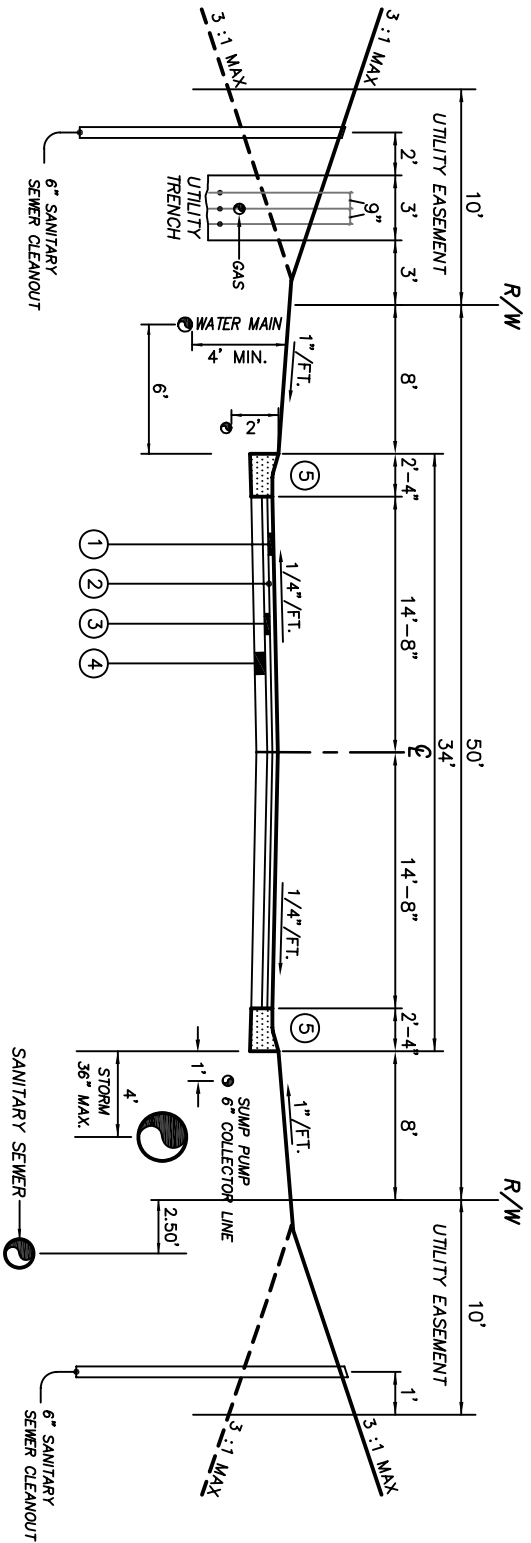
NOT TO SCALE



- | MIN. COVER | UTILITY |
|------------|-----------|
| 24" | GAS |
| 24" | SUMP LINE |
| 36" | ELECTRIC |
| 36" | TELEPHONE |
| 36" | CABLE TV |
| 48" | WATER |
-
- ① ITEM 448 1 1/4" ASPHALT CONCRETE SURFACE COURSE, TYPE 1, PG64-22
 - ② ITEM 407 TACK COAT (APPLICATION RATE OF 0.1 GAL./SQ. YD.
 - ③ ITEM 448 2 1/4" ASPHALT CONCRETE INTERMEDIATE COURSE, TYPE 2, PG64-22
 - ④ ITEM 301 5" AGGREGATE BASE
 - ⑤ ITEM 304 6" AGGREGATE BASE W/UNDERDRAIN
 - ⑥ ITEM 609 CLEMONT COUNTY STANDARD ROLL CURB AND GUTTER
 - ⑦ ITEM 605 6" SHALLOW PIPE UNDERDRAIN

COMMERCIAL / INDUSTRIAL URBAN AGGREGATE BASE

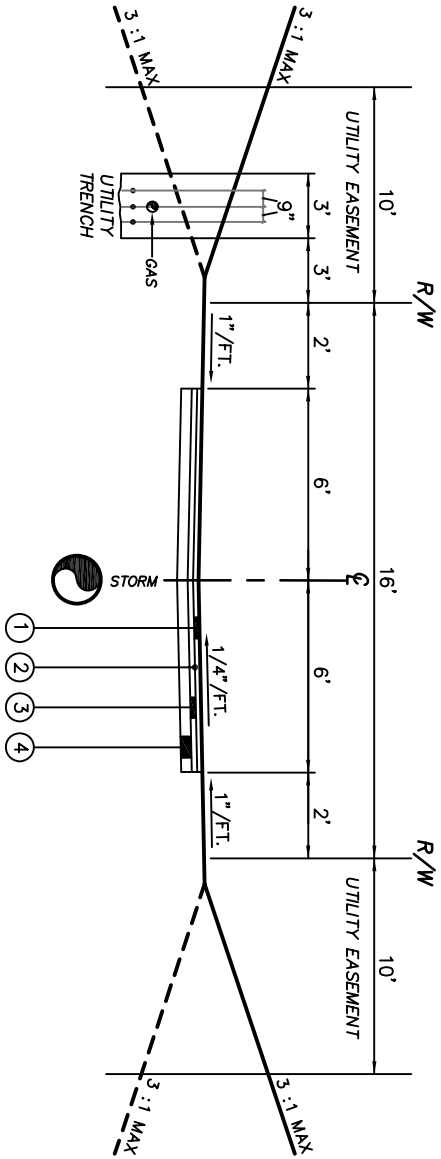
NOT TO SCALE



MIN. COVER	UTILITY
24"	GAS
24"	SUMP LINE
36"	ELECTRIC
36"	TELEPHONE
36"	CABLE TV
48"	WATER

①	ITEM 448 1 1/4" ASPHALT CONCRETE SURFACE COURSE, TYPE 1, PG64-22
②	ITEM 407 TACK COAT (APPLICATION RATE OF 0.1 GAL./SQ. YD.)
③	ITEM 448 2 3/4" ASPHALT CONCRETE INTERMEDIATE COURSE, TYPE 2, PG64-22
④	ITEM 301 8" ASPHALT CONCRETE BASE COURSE
⑤	ITEM 609 CLERMONT COUNTY STANDARD ROLL CURB AND GUTTER
⑥	ITEM 608 CONCRETE WALK, 5" THICK, CLASS C

COMMERCIAL / INDUSTRIAL URBAN FULL DEPTH ASPHALT



MIN. COVER
 36"
 36"
 36"

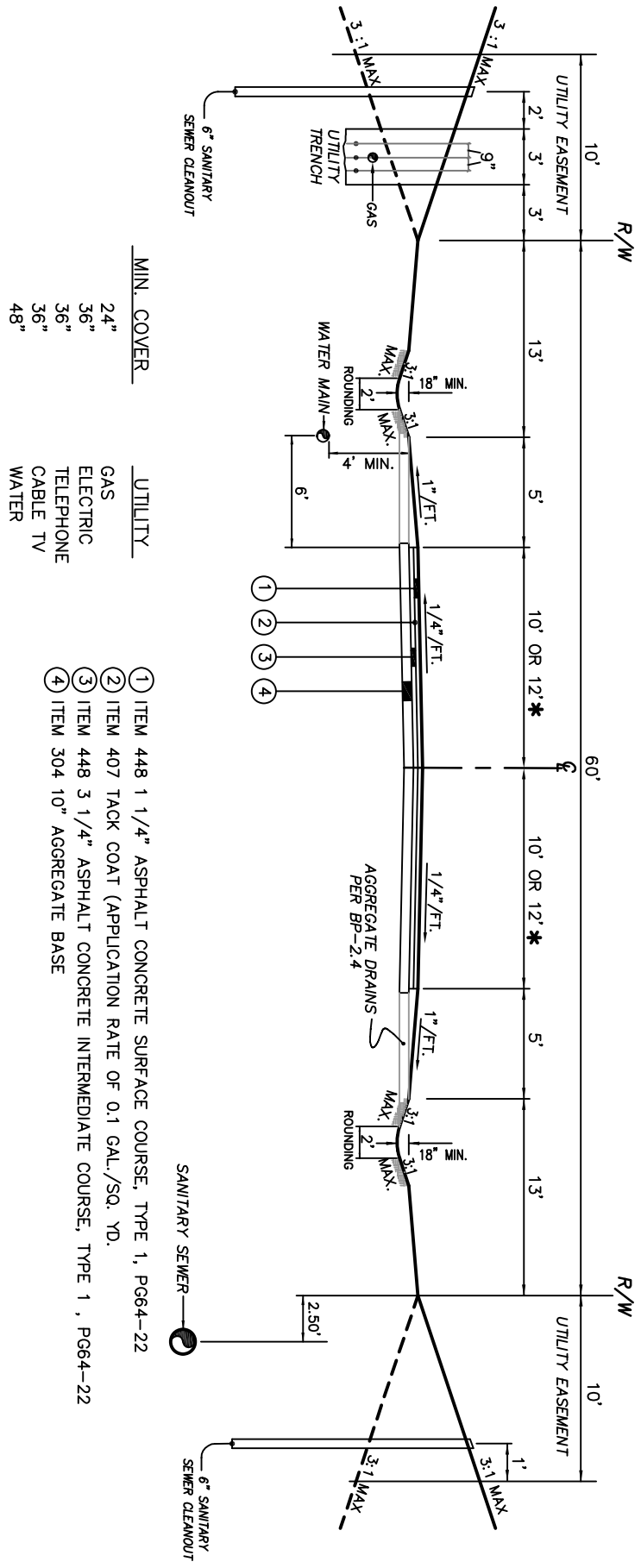
UTILITY
 ELECTRIC
 TELEPHONE
 CABLE TV

- ① ITEM 448 1 1/4" ASPHALT CONCRETE SURFACE COURSE, TYPE 1, PG64-22
- ② ITEM 407 TACK COAT (APPLICATION RATE OF 0.1 GAL./SQ. YD.)
- ③ ITEM 448 2 1/4" ASPHALT CONCRETE INTERMEDIATE COURSE, TYPE 1, PG64-22
- ④ ITEM 301 5" ASPHALTIC BASE COURSE

TYPICAL ALLEY SECTION

NOT TO SCALE

NOT TO SCALE



MIN. COVER
24"
36"
36"
36"
48"

UTILITY
GAS
ELECTRIC
TELEPHONE
CABLE TV
WATER

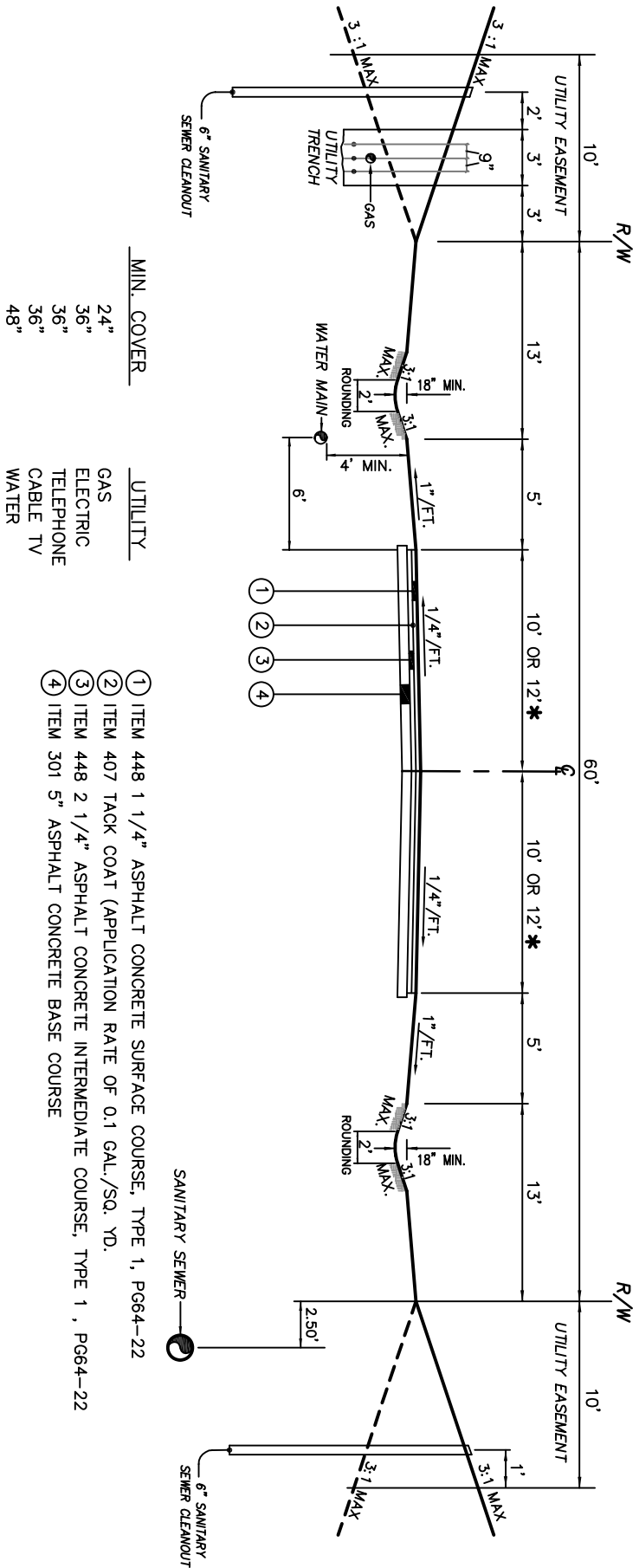
- ① ITEM 448 1 1/4" ASPHALT CONCRETE SURFACE COURSE, TYPE 1, PG64-22
- ② ITEM 407 TACK COAT (APPLICATION RATE OF 0.1 GAL./SQ. YD.)
- ③ ITEM 448 3 1/4" ASPHALT CONCRETE INTERMEDIATE COURSE, TYPE 1, PG64-22
- ④ ITEM 304 10" AGGREGATE BASE

* SEE SECTION 504 B.2. OF SUBDIVISION REGULATIONS FOR B/C TO B/C WIDTH BASED ON SETBACK REQUIREMENTS

LOCAL STREET - RURAL

AGGREGATE BASE

NOT TO SCALE



MIN. COVER	UTILITY
24"	GAS
36"	ELECTRIC
36"	TELEPHONE
36"	CABLE TV
48"	WATER

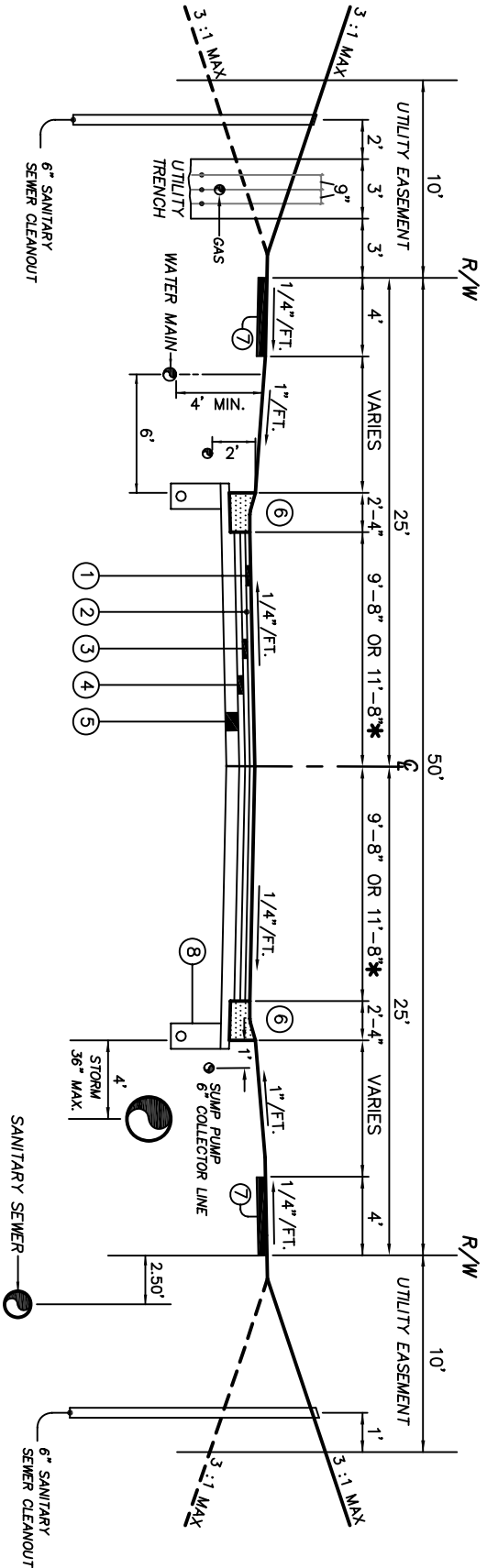
- ① ITEM 448 1 1/4" ASPHALT CONCRETE SURFACE COURSE, TYPE 1, PG64-22
- ② ITEM 407 TACK COAT (APPLICATION RATE OF 0.1 GAL./SQ. YD.)
- ③ ITEM 448 2 1/4" ASPHALT CONCRETE INTERMEDIATE COURSE, TYPE 1, PG64-22
- ④ ITEM 301 5" ASPHALT CONCRETE BASE COURSE

* SEE SECTION 504 B.2. OF SUBDIVISION REGULATIONS FOR B/C TO B/C WIDTH BASED ON SETBACK REQUIREMENTS

LOCAL STREET - RURAL

FULL DEPTH ASPHALT

NOT TO SCALE



MIN. COVER	UTILITY
24"	GAS
24"	SUMP LINE
36"	ELECTRIC
36"	TELEPHONE
36"	CABLE TV
48"	WATER

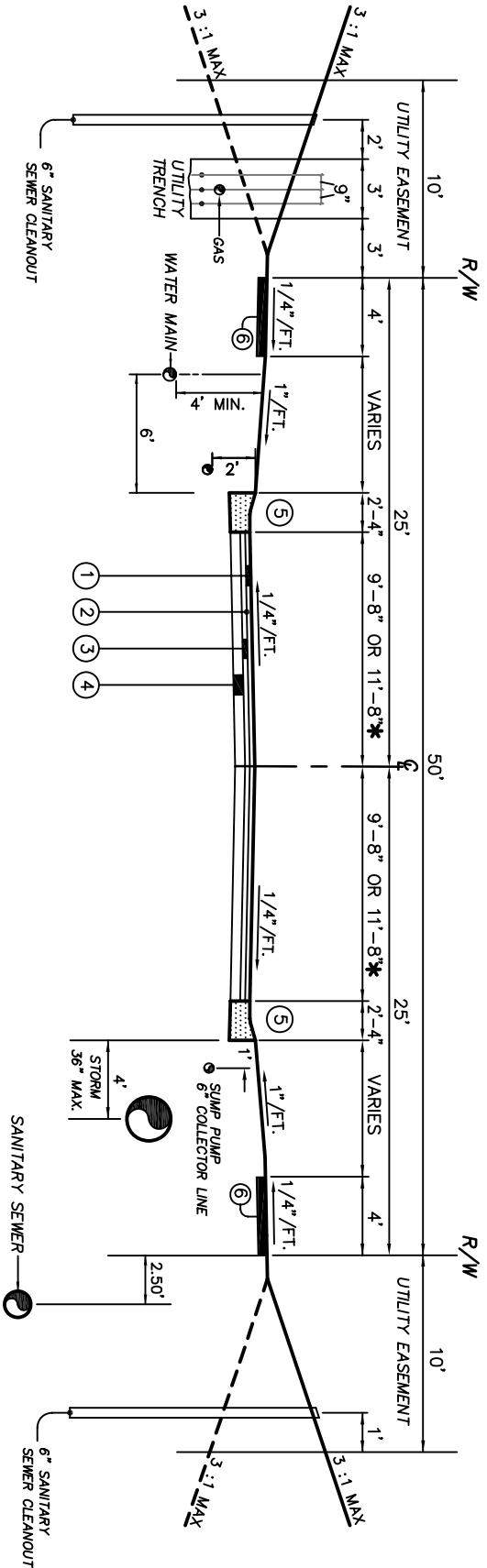
- ① ITEM 448 1 1/4" ASPHALT CONCRETE SURFACE COURSE, TYPE 1, PG64-22
- ② ITEM 407 TACK COAT (APPLICATION RATE OF 0.1 GAL./SQ. YD.
- ③ ITEM 448 2 1/4" ASPHALT CONCRETE INTERMEDIATE COURSE, TYPE 1, PG64-22
- ④ ITEM 301 3" AGGREGATE BASE
- ⑤ ITEM 304 8" AGGREGATE BASE W/UNDERDRAIN
- ⑥ ITEM 609 CLERMONT COUNTY STANDARD ROLL CURB AND GUTTER
- ⑦ ITEM 608 CONCRETE WALK, 5" THICK, CLASS C
- ⑧ ITEM 605 6" SHALLOW PIPE UNDERDRAIN

* SEE SECTION 504 B.2. OF SUBDIVISION REGULATIONS FOR B/C TO B/C WIDTH BASED ON SETBACK REQUIREMENTS

LOCAL STREET - CLASS I

AGGREGATE BASE

NOT TO SCALE



MIN. COVER	UTILITY
24"	GAS
24"	SUMP LINE
36"	ELECTRIC
36"	TELEPHONE
36"	CABLE TV
48"	WATER

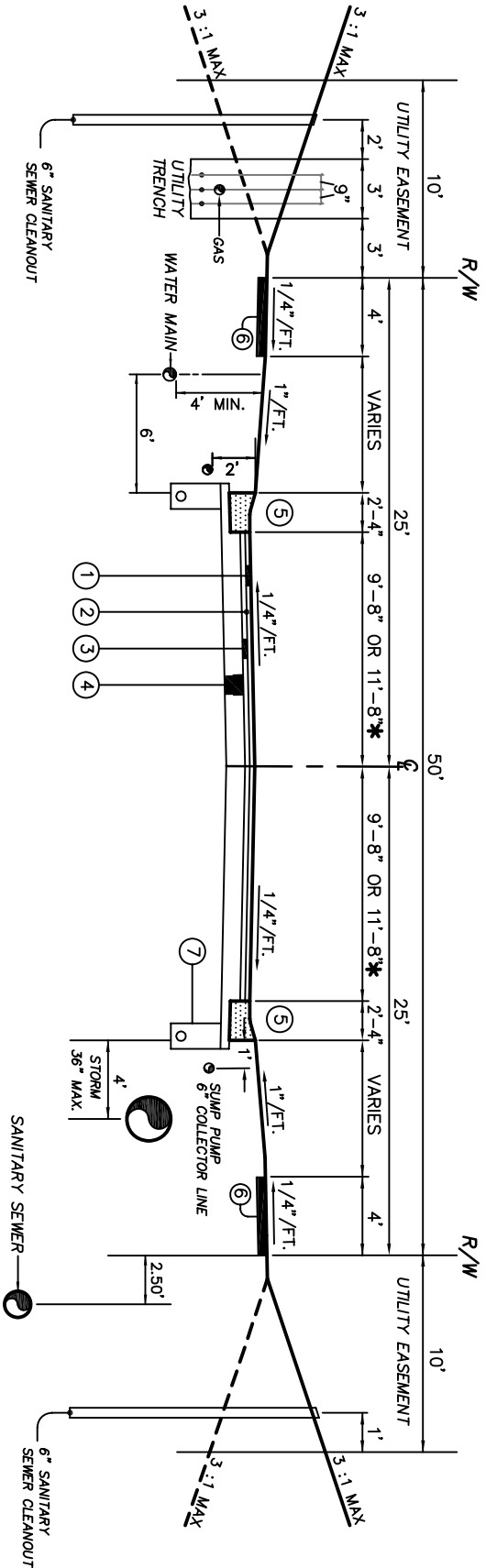
- ① ITEM 448 1 1/4" ASPHALT CONCRETE SURFACE COURSE, TYPE 1, PG64-22
- ② ITEM 407 TACK COAT (APPLICATION RATE OF 0.1 GAL./SQ. YD.
- ③ ITEM 448 3 1/4" ASPHALT CONCRETE INTERMEDIATE COURSE, TYPE 2, PG64-22
- ④ ITEM 301 6" ASPHALT CONCRETE BASE COURSE
- ⑤ ITEM 609 CLERMONT COUNTY STANDARD ROLL CURB AND GUTTER
- ⑥ ITEM 608 CONCRETE WALK, 5" THICK, CLASS C

* SEE SECTION 504 B.2. OF SUBDIVISION REGULATIONS FOR B/C TO B/C WIDTH BASED ON SETBACK REQUIREMENTS

LOCAL STREET - CLASS I

FULL DEPTH ASPHALT

NOT TO SCALE



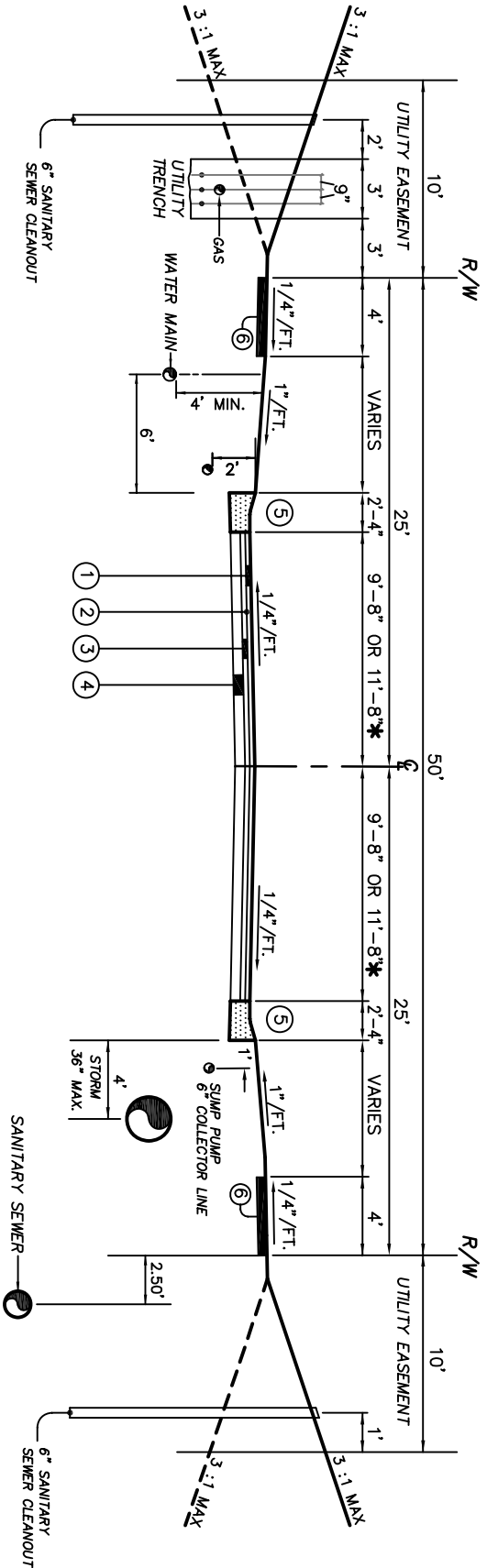
- | MIN. COVER | UTILITY |
|------------|-----------|
| 24" | GAS |
| 24" | SUMP LINE |
| 36" | ELECTRIC |
| 36" | TELEPHONE |
| 36" | CABLE TV |
| 48" | WATER |
-
- ① ITEM 448 1 1/4" ASPHALT CONCRETE SURFACE COURSE, TYPE 1, PG64-22
 - ② ITEM 407 TACK COAT (APPLICATION RATE OF 0.1 GAL./SQ. YD.
 - ③ ITEM 448 3 1/4" ASPHALT CONCRETE INTERMEDIATE COURSE, TYPE 2, PG64-22
 - ④ ITEM 304 10" AGGREGATE BASE W/UNDERDRAIN
 - ⑤ ITEM 609 CLERMONT COUNTY STANDARD ROLL CURB AND GUTTER
 - ⑥ ITEM 608 CONCRETE WALK, 5" THICK, CLASS C
 - ⑦ ITEM 605 6" SHALLOW PIPE UNDERDRAIN

* SEE SECTION 504 B.2. OF SUBDIVISION REGULATIONS FOR B/C TO B/C WIDTH BASED ON SETBACK REQUIREMENTS

LOCAL STREET - CLASS II

AGGREGATE BASE

NOT TO SCALE



MIN. COVER	UTILITY
24"	GAS
24"	SUMP LINE
36"	ELECTRIC
36"	TELEPHONE
36"	CABLE TV
48"	WATER

- ① ITEM 448 1 1/4" ASPHALT CONCRETE SURFACE COURSE, TYPE 1, PG64-22
- ② ITEM 407 TACK COAT (APPLICATION RATE OF 0.1 GAL./SQ. YD.
- ③ ITEM 448 2 1/4" ASPHALT CONCRETE INTERMEDIATE COURSE, TYPE 1, PG64-22
- ④ ITEM 301 5" ASPHALT CONCRETE BASE COURSE
- ⑤ ITEM 609 CLERMONT COUNTY STANDARD ROLL CURB AND GUTTER
- ⑥ ITEM 608 CONCRETE WALK, 5" THICK, CLASS C

* SEE SECTION 504 B.2. OF SUBDIVISION REGULATIONS FOR B/C TO B/C WIDTH BASED ON SETBACK REQUIREMENTS

LOCAL STREET - CLASS II

FULL DEPTH ASPHALT